



No. 5 WOMAN CONCEPT SPRING / SUMMER

Correction Model 16

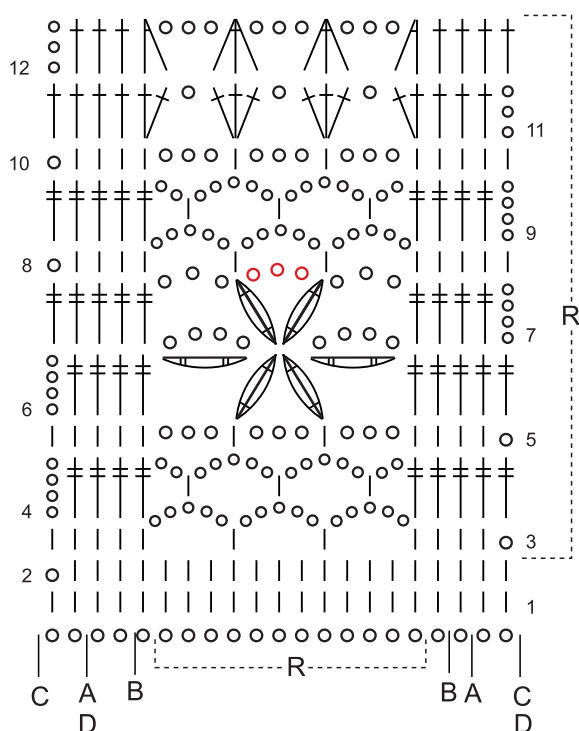
Crochet hook

Size **D3** and G6 (US)/ (3 and 4mm)

Stitches

Chain St (see Basic stitches)

Graph A



Graph B

